

Upload-pressurized Automatic Sphygmomanometer.

BPBIO320

Up-Load Blood Pressure Monitor



Measuring blood pressure is one of the fundamental steps for maintaining a healthy lifestyle

Blood screening is basic to health check up.

BPBIO320 enables maintenance of health and lifestyle by allowing quick, easy and accurate blood pressure measurement.



The BPBIO320 desk and chair option allows for an even safer use of BPBIO320. (optional)



Upload-pressurized Automatic Sphygmomanometer BPBIO320 gives accurate and less painful results.

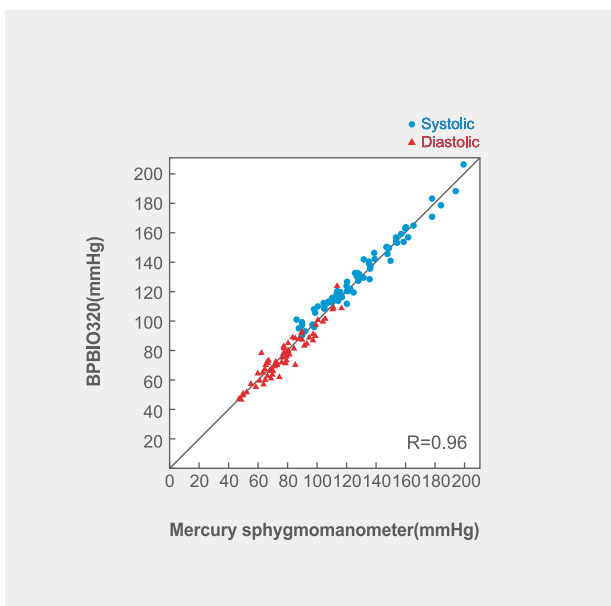


The BPBIO320 resolves the two most common problems associated with the automatic sphygmomanometers: the painful measuring process from excessive pressure and inaccurate results.

In order to locate systolic and diastolic points, previous models of automatic sphygmomanometer increased the pressure applied regardless of the each patient's blood pressure. It caused unnecessary pain as well as less reproducibility when repeating measurement due to the residual effects. BPBIO320 increases the pressure only up to the patient's systolic pressure to measure the systolic and diastolic blood pressure, allowing for minimal discomfort and minimal residual effects resulting from less pressure put. Also, it resolved the problem of prolonged measuring time from previous upflow-pressurized sphygmomanometers by using the individualized pressure according to the patient's heart rate.

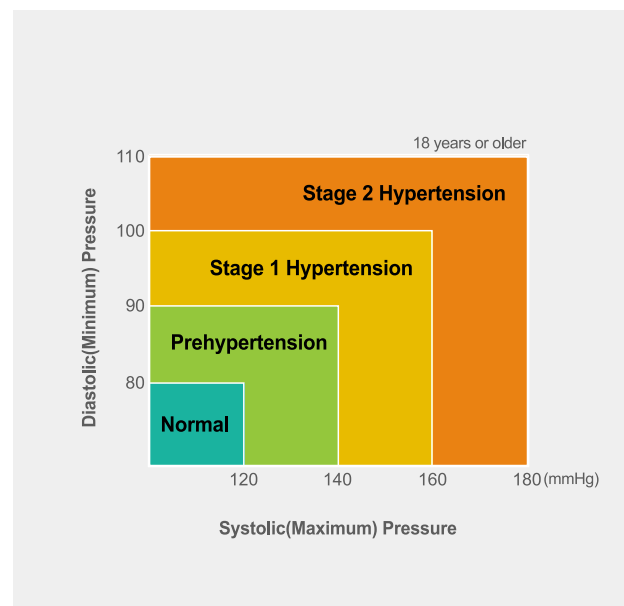
BPBIO320 is user-friendly and has all necessary components.

- Automatic energy saving mode 2 minutes after the measurement is taken
- Leads accurate measurement accounting for body movement
- Enhanced comfort using the compressor belt
- 3 color schemes
- Wide LED screen to easily read results
- 2-step security component for any emergency
- Printing and saving error codes for quick and complete customer service
- Body type analysis



Clinical trial results of BPBIO320

Mercury sphygmomanometer correlation study shows that BPBIO320 is very accurate.



Biospace has adopted the NIH Blood Pressure Guideline

Convenience is also technology.

BPBIO320



Simple and chic design with 3 different color schemes.

Functions of BPBIO320

Green



Blue

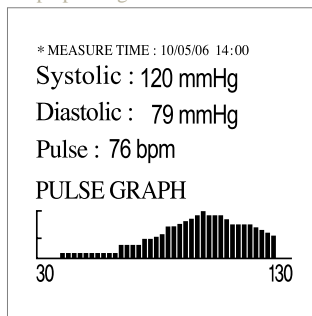


Orange



- 1 Flexible cuff guide ring that allows for accurate measurement of larger arm sizes (18 ~ 42cm)
- 2 Comfortable and painless measurement with the air pouch insulation and the cuff
- 3 Biotechnological design that ensures the right posture
- 4 Wide LED screen for easy checking of all results (systolic, diastolic, and pulse rate), LED light guides the process of measurement and indicates current time
- 5 One-touch check for reviewing and printing past results
- 6 'Print' button for an easier test
Larger buttons for easier recognition
- 7 High-speed thermal printer with automatic cutter for a clean and quick printing
Two different printing options available

Graph printing



3 Line printing

* MEASURE TIME : 10/05/06 14:00
Systolic : 120 mmHg
Diastolic : 79 mmHg
Pulse : 76 bpm

- 8 Emergency closing during measuring process if necessary



BPBIO320's user-friendly design enables easy and accurate use for not only re

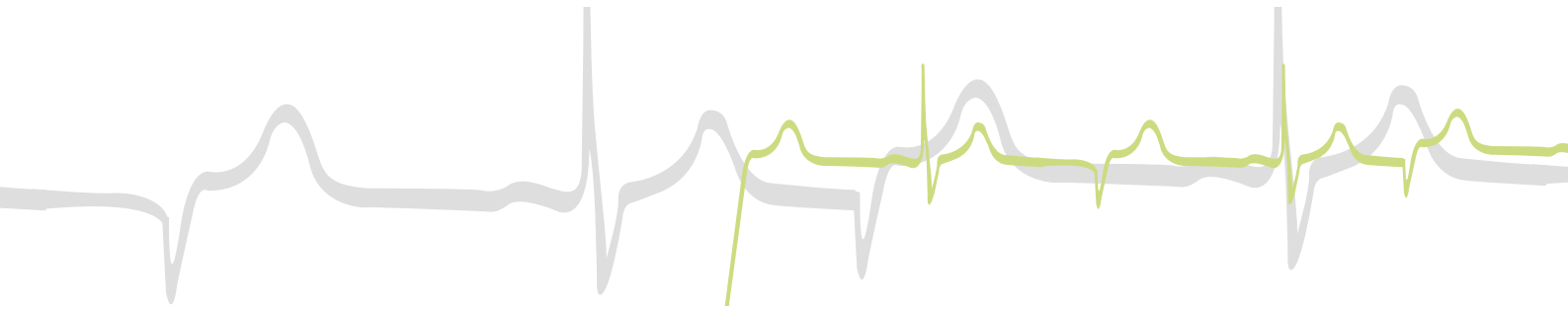
Outpatient clinics at hospitals or diagnostic purposes, public health centers



Recreational facilities, such as hotels or condominiums



Rest areas in companies, or training centers



regular user, but also even for the first-time users. This allows for easy and high quality public use and installation.

Factories



Schools, military, or religious institutions



Sports centers, golf clubs, spa, sauna, or martial art centers



Public service areas in government organizations, banks or financial institution, or other public facilities, such as the subway



Private hospitals, Oriental-medicine clinics, rehabilitation, special diagnostic centers



BPBIO320 Specifications

Key Specifications

Measuring Method	Oscillometric
* Pressurizing Method	Automatic Pressurization by Air pressurization speed controller Micro Pump
Depressurizing Method	Exhaust by Micro Valve
Cuff	Pressurizing belt method by gear motor, Automatic operation
Measurement Range	0~300mmHg(Pressure), 30~200 bpm(Pulse)
Accuracy	± 3mmHg(Pressure), ±5%(Pulse)
Measurement Result	Systolic & Diastolic Blood Pressure, Pulse
Measurement Duration	Average 40sec.(30~60sec. depending on the pulse rate or blood pressure)
Display Unit	1mmHg

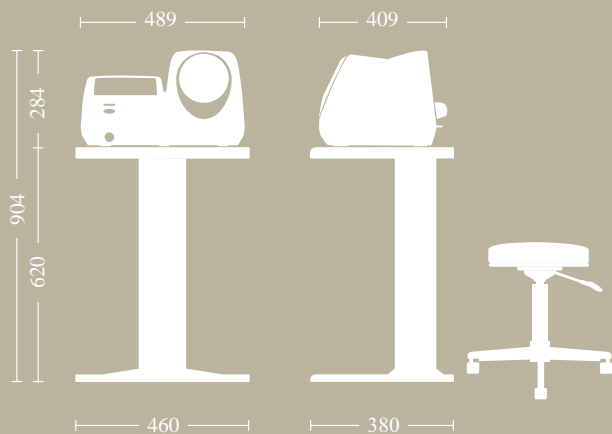
Function specifications

Display Mode	7-segment LED(Systolic, Diastolic, Time, Pulse)
Results Sheet Type	Express Print / Graphs Print
* Safety Device	If you press on the EMERGENCY button, the cuff will become loose for deflation. (Dual safety device system that cuff will become loose for deflation regardless of the central controller.) If you press on the START/STOP button, the cuff will become loose and deflate. If the air pressure surpasses 300mmHg, the cuff will automatically deflate and loosen.
Printer	Express thermal printer with automatic cutter
Option	Personal desk, Height controllable chair

Other specifications

Power Source	AC 100-240V, 50-60Hz, 70VA
Dimensions	489(W) × 409(L) × 284(H): mm 19.3(W) × 16.1(L) × 11.2(H): inch
Machine Weight	9kg(19.8lb.)
Operation Environment	10 ~ 40 , 30 ~ 75%RH, 70 ~ 106kPa
Storage Environment	-20 ~ 50 , 10 ~ 75%RH, 50 ~ 106kPa(No condensation)

* Specifications are examinee to change without prior notice.



Biospace is the first body composition analyzer to acquire patent rights in Europe and Japan and have about 50 patent rights in different countries.



BIOSPACE

Biospace Co., Ltd.
TEL : + 82-2-501-3939
FAX : + 82-2-578-2716
Homepage : <http://www.e-inbody.com>
E-mail : info@biospace.co.kr

Biospace America, Inc.
TEL : +1-323-932-6503
FAX : +1-323-932-6506
Homepage : <http://www.biospaceamerica.com>
E-mail : USA@biospaceamerica.com

Biospace Japan, Inc.
TEL : + 81-3-5298-7667
FAX : + 81-3-5298-7668
Homepage : <http://www.biospace.co.jp>
E-mail : biospace@biospace.co.jp

Biospace China, Inc.
TEL : + 86-21-64439705
FAX : + 86-21-64439706
Homepage : <http://www.biospacechina.com>
E-mail : admin@biospacechina.com

DaniSMC Co., Ltd. [Asia]
TEL : + 82-2-3462-5400
FAX : + 82-2-3462-5105
E-mail : daniismc@danilsmc.com